



# WELDING COMPETITION

April 6th, 2024

Heartland Welding Academy

## WHAT IT IS

- Annual welding competition for **High School Seniors ONLY**
- Registration deadline is Friday, March 22nd
- \$20 registration fee per participant (paid at the time of registration)
- Each student can register to participate one time



## RULES

1. Must provide PPE (personal protective equipment)
2. Only 50 total entries
3. Welders will rotate in and out on one hour intervals
4. Welders will choose to complete either the pipe or structural test

## SCHEDULE

- 8:30 - Registration
- 9:00 - Start welding
- 11:45 - 12:30 - Lunch
- 1:00 - Last weld begins
- 2:30 - Presentation

\*Lunch is provided\*

Register at

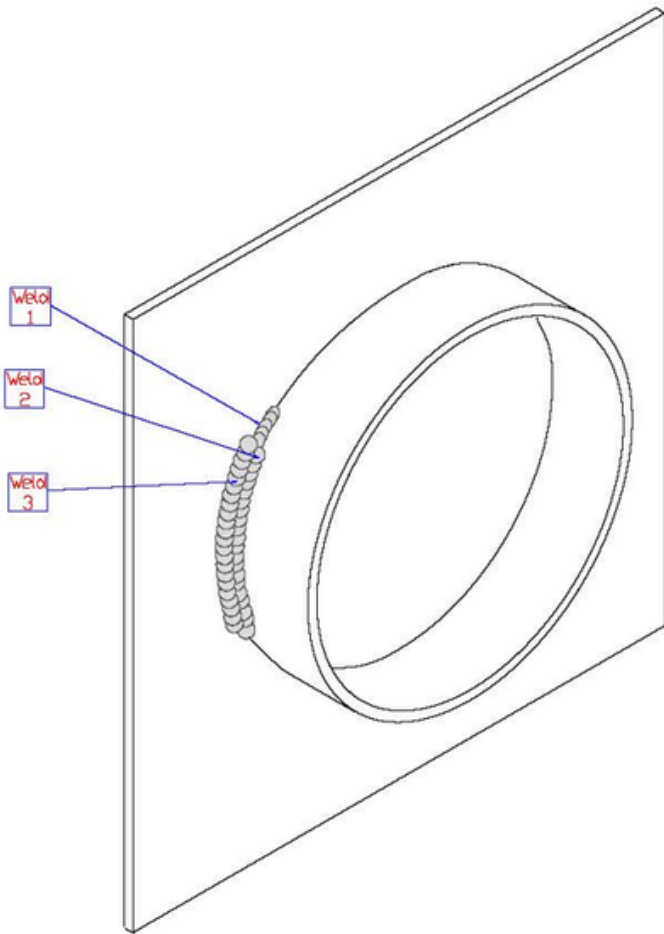
[heartlandweldingacademy.com](http://heartlandweldingacademy.com)

656 N Andover Rd,  
Andover, KS 67002



**HEARTLAND**  
WELDING ACADEMY

# PIPE TEST



Materials
$\frac{3}{8}$ " Flat Bar
3" Sch. 40 Pipe
$\frac{1}{8}$ " E6010
$\frac{3}{32}$ " E7018

Directions
3 Weld Passes
1st Pass $\frac{1}{8}$ " E6010
2nd Pass $\frac{3}{32}$ " E7018
3rd Pass $\frac{3}{32}$ " E7018
Vertical Up Progression
Weld Out

Heartland Welding Acad. Weld Competition	
Date:	4.6.2024
By:	C.F
Ref:	2024 Comp.

# PRIZES

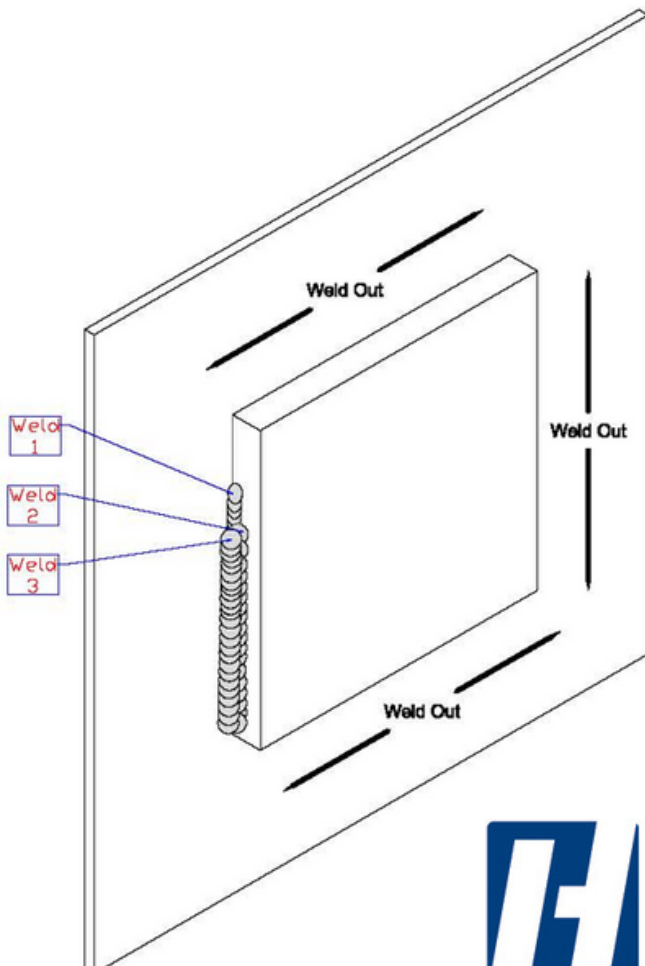
**1<sup>st</sup>** Full tuition cost covered plus a welding hood

**2<sup>nd</sup>** Half tuition cost covered plus a shirt pack

**3<sup>rd</sup>** Quarter of tuition covered plus a shirt pack

*\*All participants will receive a participation prize\**

# STRUCTURAL TEST



MATERIALS
$\frac{3}{8}$ " Flat Bar
$\frac{1}{8}$ " E7018

DIRECTIONS
3 Weld Passes
1st Pass $\frac{1}{8}$ " E7018
2nd Pass $\frac{1}{8}$ " E7018
3rd Pass $\frac{1}{8}$ " E7018
Vertical Up Progression
Weld Out

Heartland Welding Acad. Weld Competition	
Date:	4.6.2024
By:	C.F
Ref:	2024 Comp.

# TOOLS AND PPE

- Leather work boots
- Jeans/pants free of holes, rips, or tears
- Long sleeve shirt free of holes, rips, or tears
- Welding hood
- Safety glasses
- Leather welding gloves



**HEARTLAND**  
WELDING ACADEMY

